

D78 Series - 32 mm

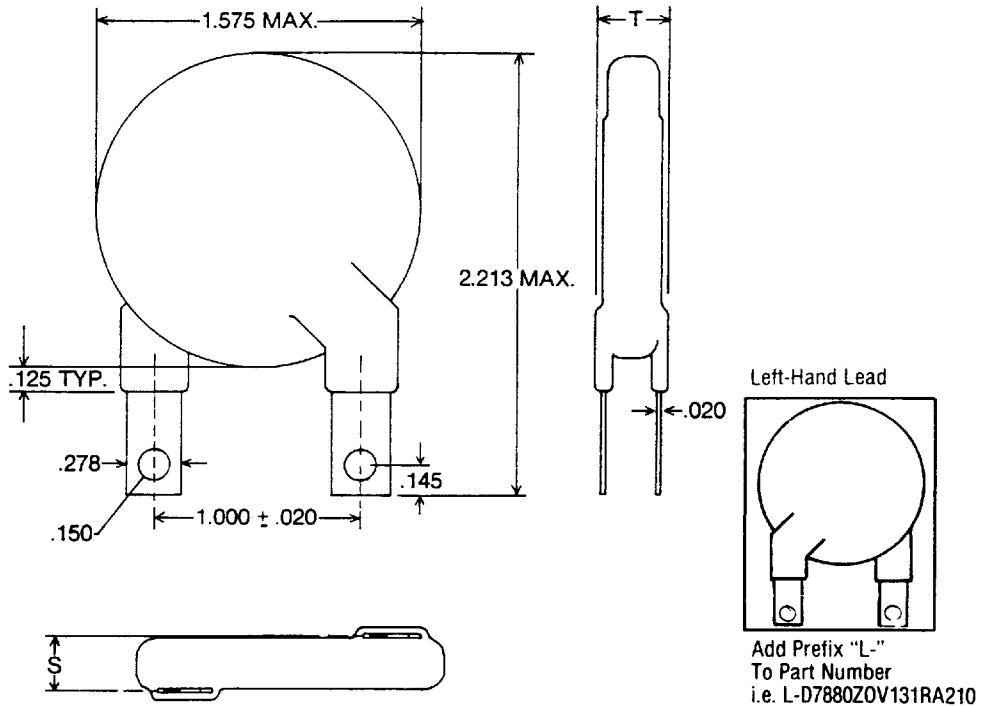
Basic Dimensions	Fractional Dimensions	Decimal Dimensions
UP TO 1/4	$\pm 1/128$	$\pm .003$
OVER 1/4 TO 8	$\pm 1/64$	$\pm .005$
OVER 8	$\pm 1/32$	$\pm .010$
Angles: $\pm 2 1/2$		

Dimensional Tolerances Unless Otherwise Specified May Vary

Dimensions Are In Inches

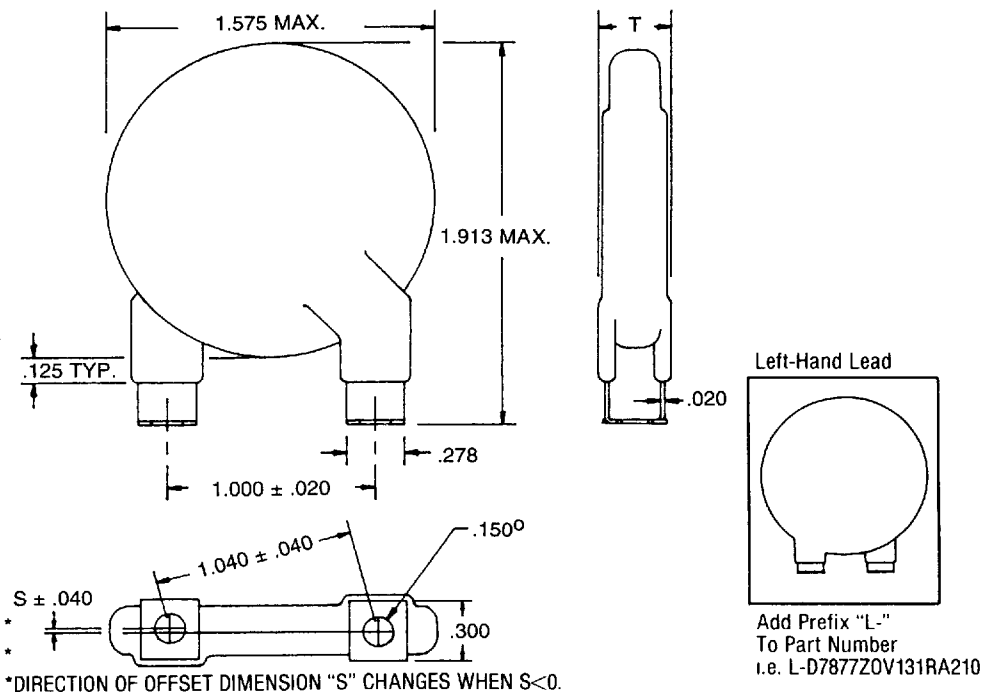
D7880 SERIES VARISTOR

STYLE NUMBER	S	T MAX
D7880ZOV131RA210	.100	.248
D7880ZOV141RA225	.110	.252
D7880ZOV151RA240	.110	.257
D7880ZOV181RA250	.110	.267
D7880ZOV231RA300	.130	.280
D7880ZOV251RA330	.140	.287
D7880ZOV271RA360	.140	.294
D7880ZOV301RA380	.150	.305
D7880ZOV321RA430	.150	.312
D7880ZOV391RA550	.170	.312
D7880ZOV421RA600	.180	.332
D7880ZOV461RA520	.190	.344
D7880ZOV481RA550	.190	.350
D7880ZOV511RA580	.200	.360
D7880ZOV551RA620	.220	.373
D7880ZOV581RA650	.220	.382
D7880ZOV621RA680	.230	.395
D7880ZOV681RA760	.250	.414
D7880ZOV751RA800	.280	.460
D7880ZOV881RA850	.320	.476
D7880ZOV102RA900	.370	.514



D7877 SERIES FORMED FOOT VARISTOR

STYLE NUMBER	S	T MAX
D7877ZOV131RA210	.184	.248
D7877ZOV141RA225	.180	.252
D7877ZOV151RA240	.176	.257
D7877ZOV181RA250	.171	.267
D7877ZOV231RA300	.155	.280
D7877ZOV251RA330	.149	.287
D7877ZOV271RA360	.142	.294
D7877ZOV301RA380	.135	.305
D7877ZOV321RA430	.131	.312
D7877ZOV391RA550	.117	.312
D7877ZOV421RA600	.107	.332
D7877ZOV461RA520	.095	.344
D7877ZOV481RA550	.090	.350
D7877ZOV511RA580	.083	.360
D7877ZOV551RA620	.068	.373
D7877ZOV581RA650	.060	.382
D7877ZOV621RA680	.053	.395
D7877ZOV681RA760	.037	.414
D7877ZOV751RA800	.010	.460
D7877ZOV881RA850	-.035	.476
D7877ZOV102RA900	-.080	.514



5728343 0000522 321

4